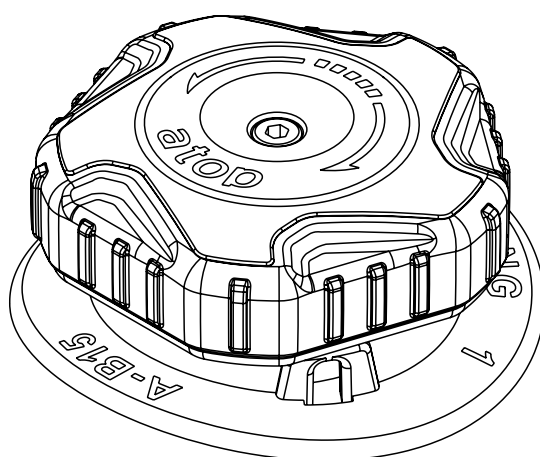


**atop**

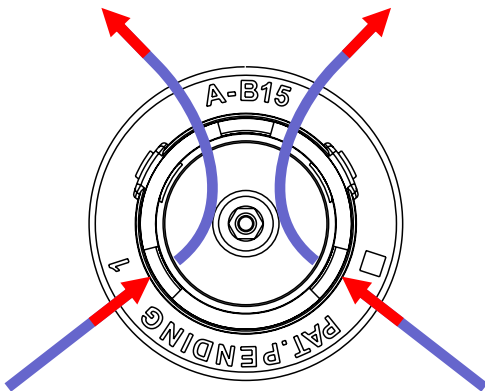
# A-B15 Assembled Manual

(Steel wire lace)

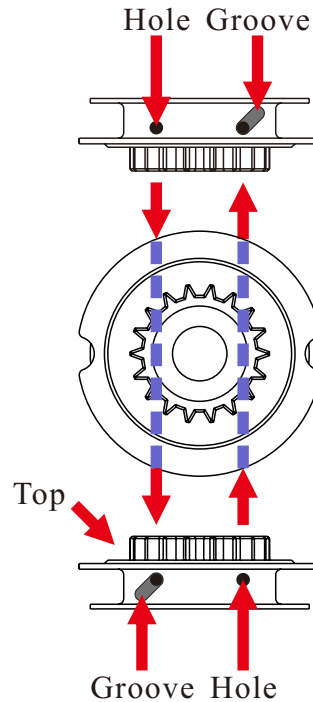


[www.atop-team.com](http://www.atop-team.com)

**1. Thread the wire lace into the holes of the base**

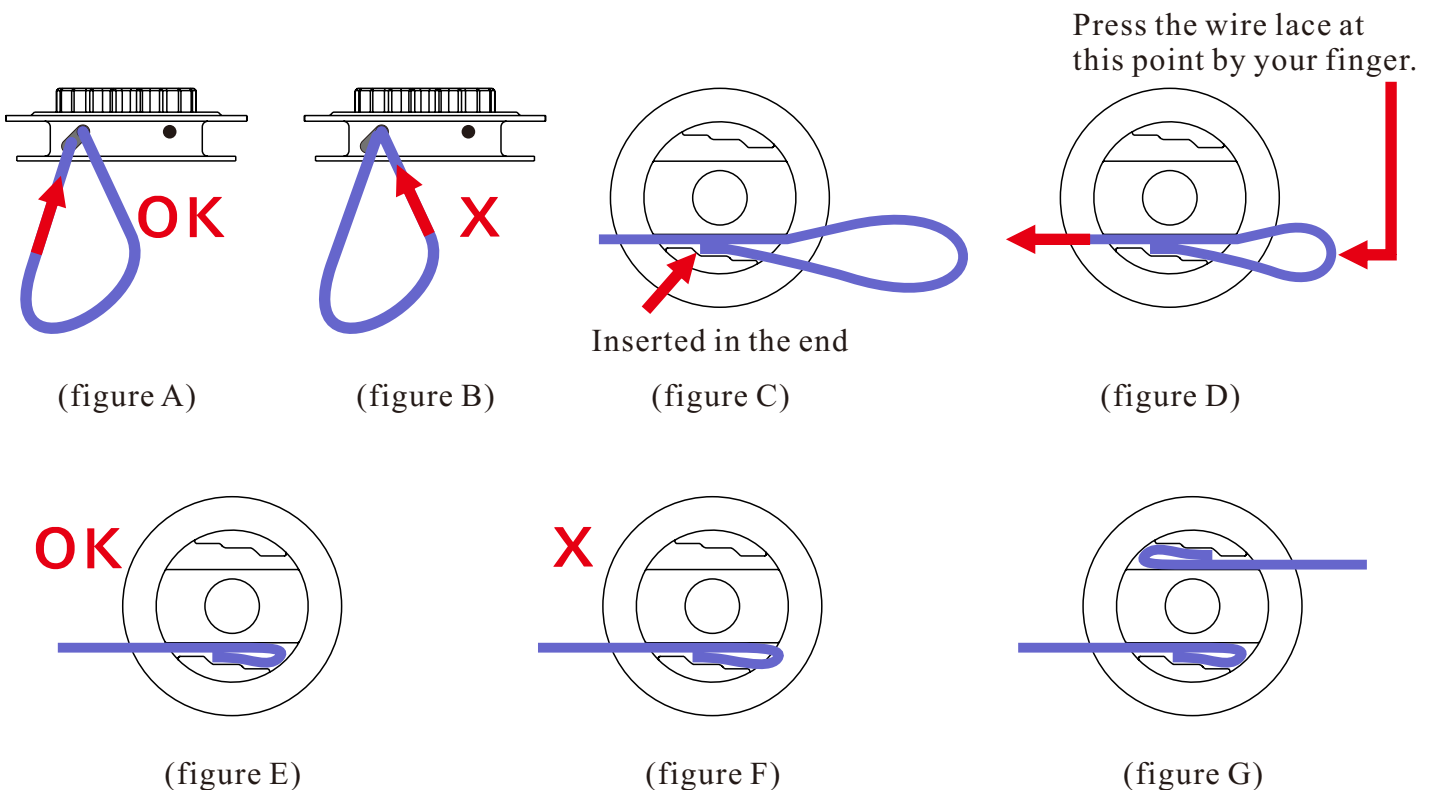


**2. Thread the wire lace through the reel hole**



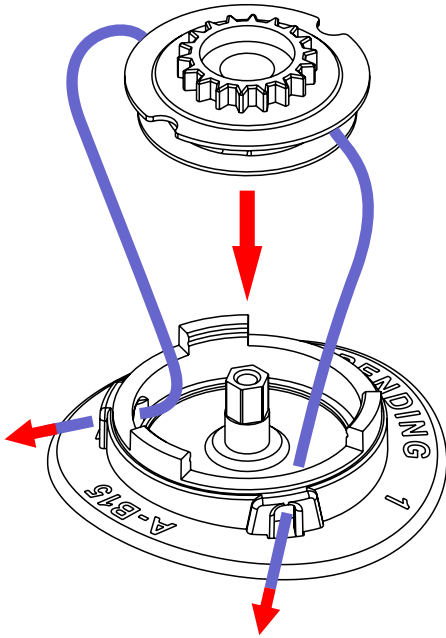
**3. Tighten the wire lace to be fixed it**

- ~1. Bend the wire lace and then thread it into to the lower part of the groove(see figure A). (Note: The head of the wire lace can not be threaded above the wire lace itself, see figure B.) Make sure the head of the wire lace is completely threaded into the bottom of the groove (see figure C).
- ~2. Pull the wire lace to minify the wire loop, and then press the bending part of the wire loop with thumb and fingers to avoid the head the wire loosening from the groove (see figure D).
- ~3. Pull the wire lace tightly until the bending loop of wire lace is fully fixed into the groove (see figure E). (Note: The wire lace can not be bulged out of the groove, see figure F).
- ~4. Repeat the above steps to fasten the other side of wire lace.(See figure G)



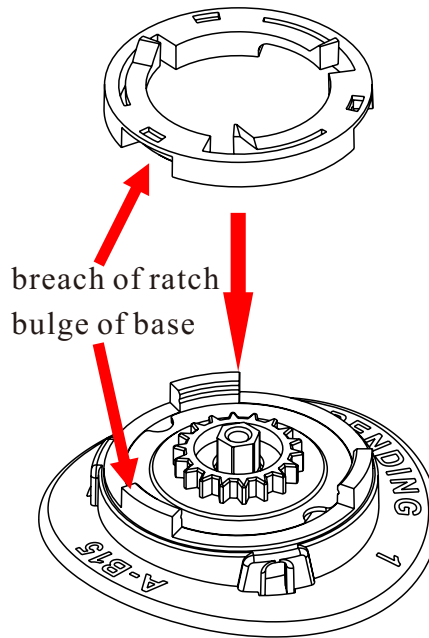
#### 4. Put the reel into the base

~1. Pull the lace toward outside and put the reel into the base.



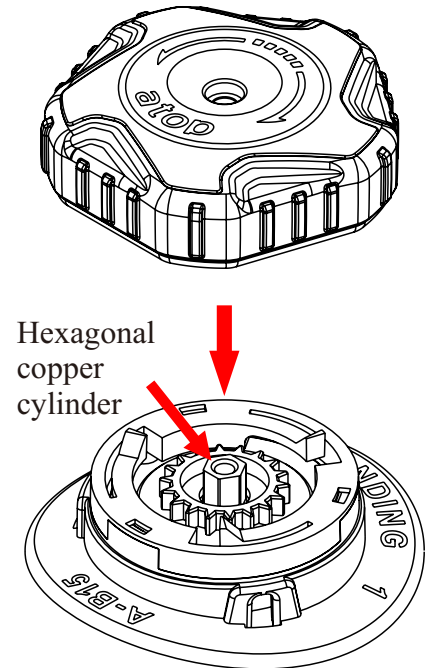
#### 5. Inset the ratch

~1. Put the ratch's breach to aim at the bulge of the base.



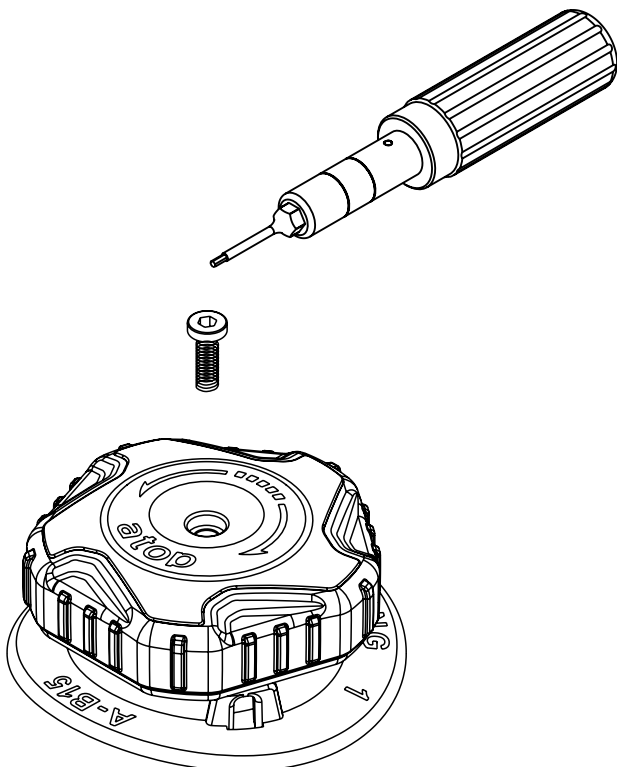
#### 6. Inset the knob

~1. Under the knob has a hexagonal hole which has to aim at the hexagonal cylinder of base, and inset the knob into the base.



#### 7. Fix the knob

~1. Setting the torque wrench on 2.5 kg, and fasten the screw. Please must make sure the screw is fastened in vertically.



#### 8. Testing

~1. Tighten the wire lace in clockwise.  
~2. Release the wire lace in anticlockwise.  
~3. Pull out the wire lace inside the base.  
~Repeat the above steps three times, as you tighten and release the wire lace which runs smoothly, then it is assembled well.

